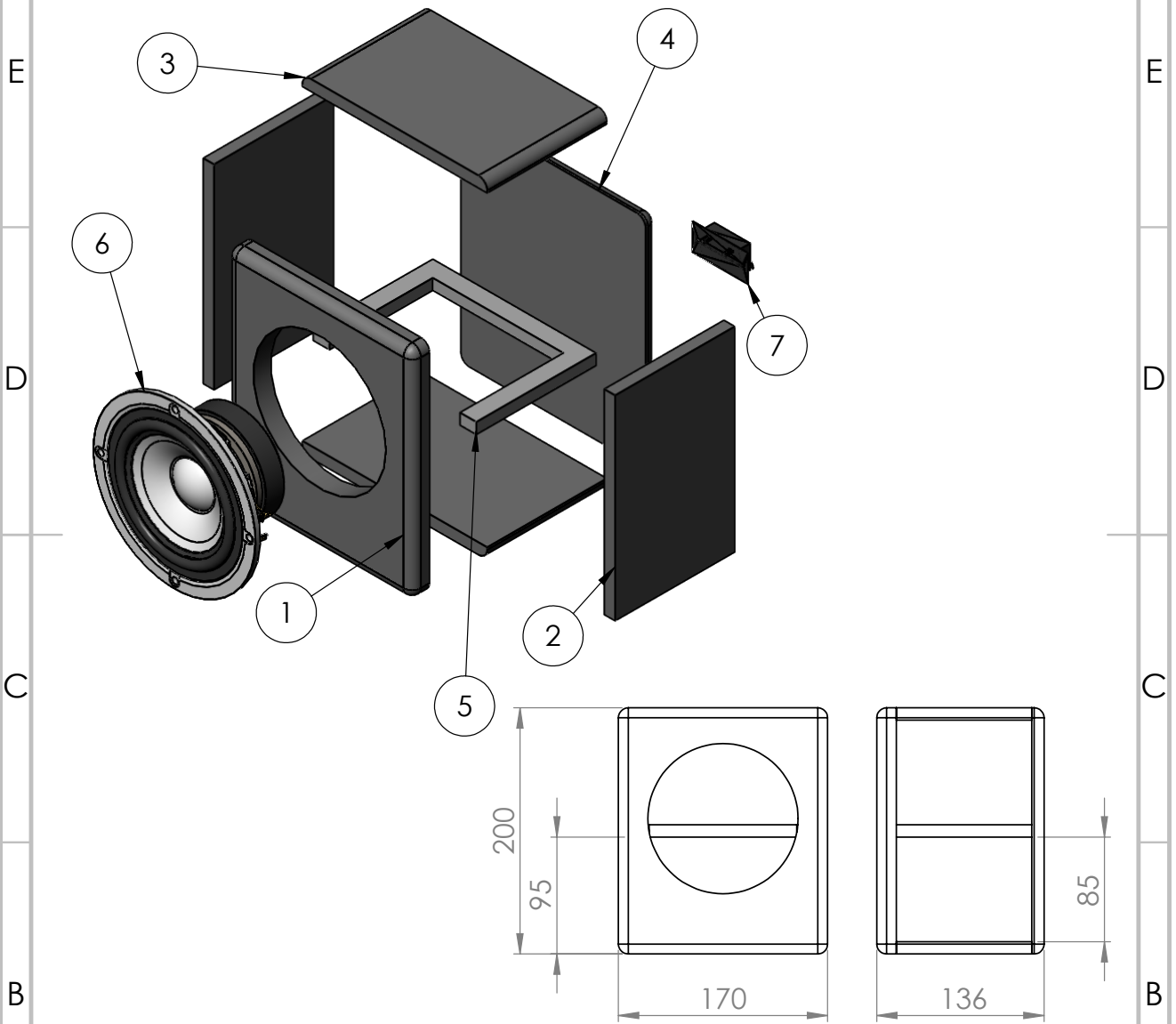


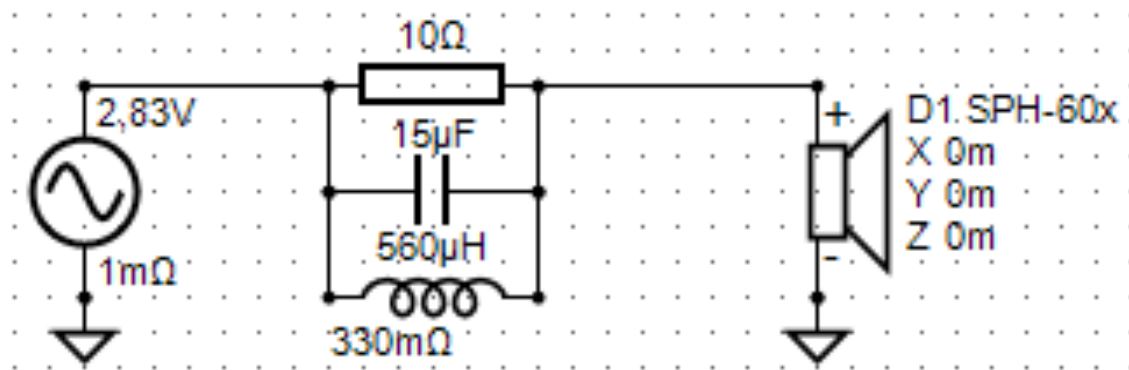
N.º	Naº	DESCRIPTION	QTY
1	front	16 mm MDF board	1
2	sides	10 mm MDF board	2
3	top bottom	10 mm MDF board	2
4	back	10 mm MDF board	1
5	brace	10 mm MDF board	1
6	5inch fullrng	Monacor SPH-60x	1
7	con terminal	speaker connection terminal	1



UNLESS OTHERWISE SPECIFIED: DIMENSIONS ARE IN MILLIMETERS SURFACE FINISH: TOLERANCES: LINEAR: ANGULAR:	FINISH:	DEBURR AND BREAK SHARP EDGES	DO NOT SCALE DRAWING	REVISION

NAME	SIGNATURE	DATE	TITLE:
DRAWN			
CHK'D			
APPV'D			
MFG			
Q.A			
MATERIAL:			DWG NO.
WEIGHT:			Carvalho Mixcube rev1_1
SCALE:1:5			A4
SHEET 1 OF 2			

Parallel notch circuit



Coil ferrit core coil for best value/money , resistance should be no higher then 0,5 ohms
Capacitor bipolar, 50VAC type
Resistor any 10 Watt type

Fill box loosely with polyester fibrefill (1/8 bag of Sonofill, Dacron,...)



SPH-60X

Order No.: 10.0920

EUR 47,90

RRP *

PRODUCTINFOS

Full range speaker, 30 W, 8 Ω

- Drilled pole core
- Very good frequency response linearity also in the high frequency range
- For general applications
- Speaker from the successful building concepts CT193 and CT194 of the magazine Klang+Ton

TECHNICAL SPECIFICATIONS

SPH-60X

Impedance (Z)	8 Ω
Operating voltage	-
Frequency range	f3-20000 Hz
Resonant frequency (fs)	60 Hz

SPH-60X

Rec. crossover frequ. (fmax.) (12 dB/oct.)	-
Power rating	30 W
Peak music power output	60 W
Sensitivity	89 dB/W/m
Max. rated SPL	-
Max. voltage	-
Radiation angle, horizontal	-
Radiation angle, vertical	-
Suspension compl. (Cms)	1,19 mm/N
Moving mass (Mms)	5,9 g
Mech. Q factor (Qms)	2,17
Electr. Q factor (Qes)	0,53
Total Q factor (Qts)	0,42
Equivalent volume (Vas)	9 l
DC resistance (Re)	6,2 Ω
Force factor (BxL)	5,1 Tm
Voice coil induct. (Le)	0,4 mH
Voice coil diameter	\varnothing 25,5 mm
Voice coil former	aluminium
Linear excursion (X_{MAX})	\pm 1,3 mm
Eff. cone area (Sd)	80 cm ²
Magnet weight	370 g
Magnet diameter	\varnothing 100 mm
Mounting cutout	\varnothing 122 mm
Mounting depth	70 mm
Mounting hole diameter	-
Hole spacing X-axis	-
Hole spacing Y-axis	-
Dimensions	130 x 130 x 71 mm
Outside diameter	-
Width	130 mm
Height	130 mm
Depth	71 mm
Protective class	-
Admiss. ambient temp.	0-40 °C
Weight	1,1 kg

SPH-60X

Sales unit	1
Type of speaker	5"

* **Important Notice:** The retail prices shown here are non-binding recommendations that retailers can charge their customers. They are not part of any specific offer or advertisement. These prices include all charges as well as VAT, but do not cover any additional delivery and shipping costs. Our latest price lists for the retail market include all applicable delivery and payment terms for retailers.